

MARINE PRODUCT DATA SHEET

OEM
AFTERMARKET

2095-433-244



Aqua King Deluxe



TYPICAL APPLICATIONS

Multi-fixture marine potable water installations. Other uses may include 12 VDC pressurized water systems in cabins. This pump may be used for general water transfer. For other applications, contact SHURflo.

PUMP

Type: 3 Chamber Diaphragm
 Ports: 1/2"-14 NPSM-Male
 Liquid: 130 °F [54 °C] Max
 Prime: 6 feet [1.82 M]
 Inlet PSI: 30 PSI [2.1 Bar] Max
 Run Dry: Yes

ELECTRICAL

Motor: 12VDC Permanent Magnet, Intermittent Duty
 Protection: Thermal Overload, Automatic Restart
 Leads: 16 AWG, 36" [40 cm] Red +, 38" [33 cm] Black -
 Fuse: 7.5 Amp Recommended
 Control: Adjustable Switch with Check Valve Shut-Off 45 PSI
 [3.1 Bar] ± 5 PSI [0.4 Bar]
 Restart 25 PSI [1.8 Bar] ± 5 PSI [0.4 Bar]

MATERIALS

Housing: Polypropylene
 Valves: EPDM
 Diaphragm: Santoprene
 Hardware: Stainless Steel

APPROVALS

UL Marine, Ignition Protected, ISO 8846, c-UL

WARRANTY

1 Year Limited Warranty
 See SB-1050 For Full Warranty Details

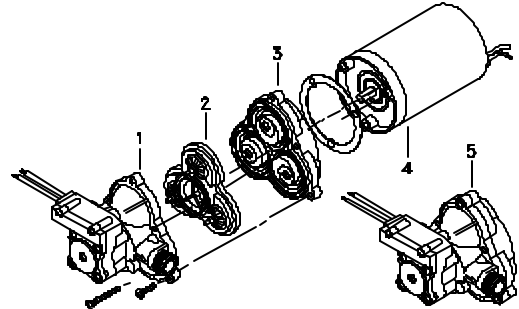
SHIPPING

Net Weight (Boxed): 5.3 Lb [2.4Kg] each
 Carton Weight: 6 each, 32 Lb [15 Kg]
 Carton Size: 24"L x 18"W x 6"H
 [61cm x 46cm x 15cm]

RELATED DOCUMENTS

Catalog: MS-030-084
 Installation Manual: 911-448
 Maintenance: 911-448
 Applications Spec Guide: MS-020-005
 Warranty: SB-1050

Parts Kits



Number	Component	Parts Kit
1	Housing/Switch	94-231-10
2	Valve Assembly	94-232-06
3	Drive Assembly	94-238-04
4	Motor	11-173-06
5	Pump Head	94-236-03
Not Shown	Check Valve	94-237-00



MARINE PRODUCT DATA SHEET

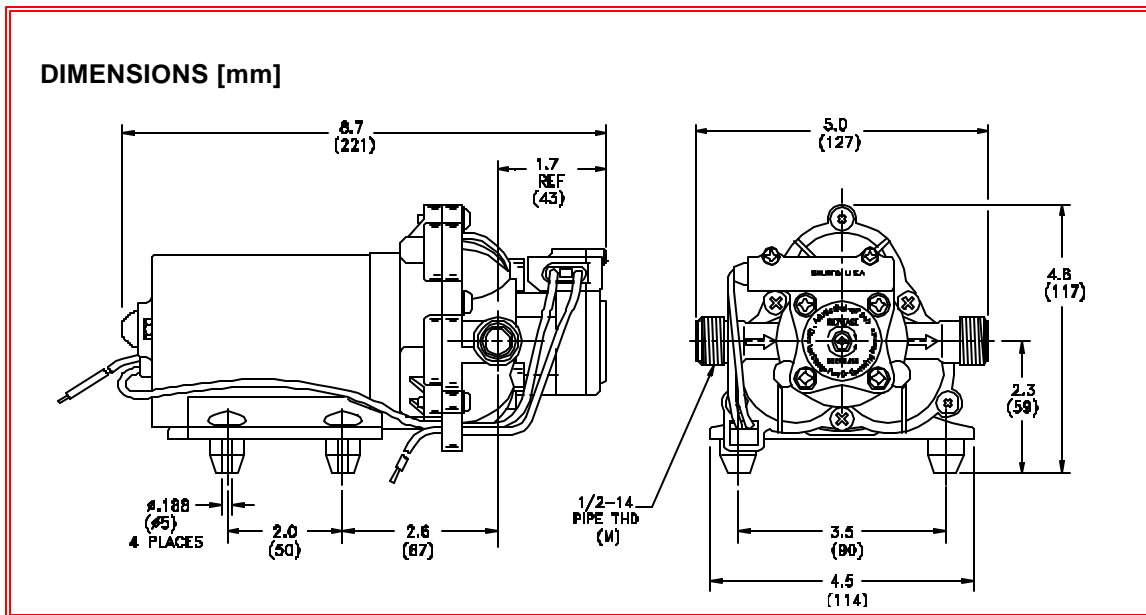
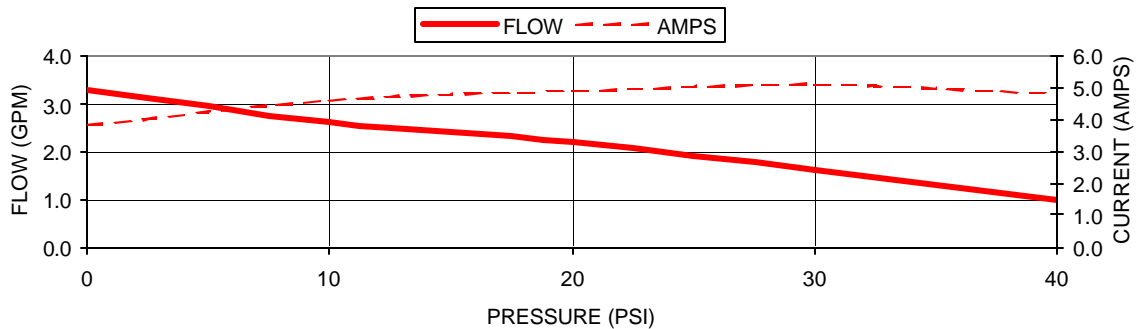
OEM
AFTERMARKET

2095-433-234



TYPICAL PERFORMANCE @ 12V DC

PRESSURE		FLOW		CURRENT
BAR	PSI	GPM	LPM	AMPS
0.0	0	3.3	12.4	3.8
0.7	10	2.6	9.8	4.6
1.4	20	2.2	8.3	4.9
2.1	30	1.6	6.0	5.1
2.8	40	1.0	3.7	4.8



For technical advice or service please take your pump into your local pump service center.

To order pump or parts or for pricing please go to the following links :

[Shurflo Pumps Home >>](#)

[Shurflo Pumps stock list >>](#)